

Westomat[®] Dosing Furnaces

Westomat[®] dosing furnaces can reduce your foundry production costs as well as scrap rate, outperforming ladle systems. Total operation expenses can be reduced by 66%. **Sound too good to be true? We can prove it. See the reverse side of this document for our low risk Trial Offer!**



Westomat[®] Classic
The Industry Standard



Westomat[®] Plus+
New Compact Design and Features



Westomat[®] VPC
Ideal for Dosing Flexibility

Westomat[®] Highlights:

- **Temperature Stability** $\pm 3,6^{\circ}\text{F}$
- **66% Energy Reduction** when compared to automated ladle and holding furnaces
- **99.94% Material Yield** nearly eliminates formation of oxides and introduction of inclusions in the dosing process, unlike ladle systems
- **Feature-Rich:** Porous plugs, heated launder systems, biscuit correction, rim cleaning jet, and much more.

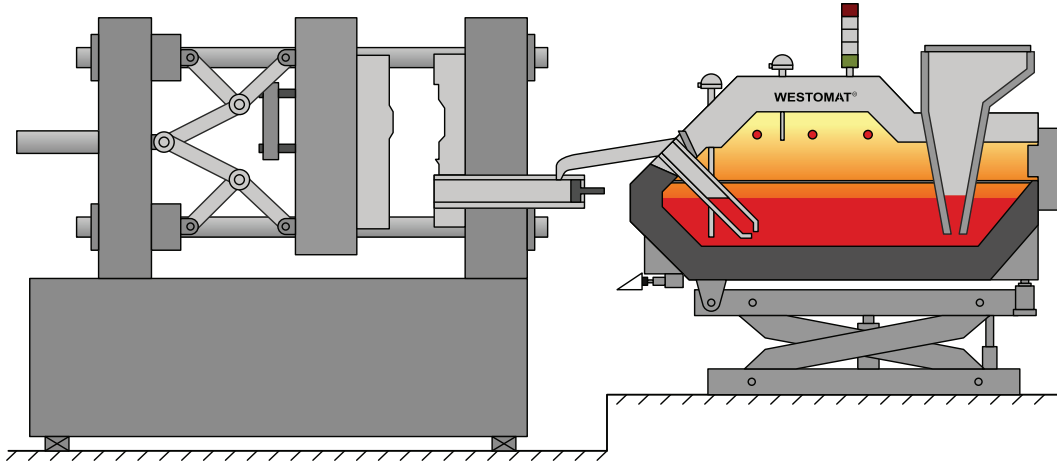
Westomat[®] Technology

	w450	w650	w900	w1200	w1700	w2300	w3100
Holding capacity	450 kg (990 lbs)	650 kg (1430 lbs)	900 kg (1980 lbs)	1200 kg (2650 lbs)	1700 kg (3750 lbs)	2300 kg (5070 lbs)	3100 kg (6830 lbs)
Usable capacity	300 kg (660 lbs)	500 kg (1100 lbs)	700 kg (1540 lbs)	900 kg (1980 lbs)	1550 kg (3400 lbs)	1800 kg (3970 lbs)	2450 kg (5400 lbs)
Temperature stability	$\pm 3,6^{\circ}\text{F}$						
Refractory material	5 year warranty on lining*						
Dosing accuracy	$\pm 1.5\%$ (with out-of-tolerance rate $\lt 1\%$) with optional biscuit correction $\pm 2\%$ (with out-of-tolerance rate $\lt 1\%$)						
Metal yield	Up to 99.94%						
Metal quality	Up to density index of $\lt 2$ with optional porous plug technology						
Availability	Up to 99% uptime						

*All data are guide values, for confirmed performance parameters of the specific operating conditions and feed materials must be used as a basis for calculations.

NO RISK TRIAL OFFER

The Westomat® Dosing Furnace — The Perfect Partner



TRIAL RUNS FOR 30 PRODUCTION DAYS
IF PARAMETERS AREN'T MET, RETURN IT.
CALL FOR DETAILS
(616) 772-3702

The Westomat® will:

- Lower your energy consumption up to 66%
- Increase your production up-time
- Hold your casting temperature $\pm 3.6^{\circ}\text{F}$
- Decrease maintenance costs

Trial Parameters

Production Up-time	98%
Energy usage	9 to 11 kW/hr*
Metal Loss	0.20%
Dosing Accuracy	Minimal Biscuit Variation of 20mm or less
Temperature Variation	Able to hold a casting temperature of between $\pm 3.6^{\circ}\text{F}$ **

Payment Terms

- 25%** – Down payment with order.
- 75%** – After 30 day production trial. If any of the 5 parameters are not met, return the Westomat and the initial down payment is returned. When the parameters are met, the remaining 75% is due and invoiced with net 30 day terms.

StrikoWestofen ◦
America

StrikoWestofen America
501 East Roosevelt Avenue
Zeeland, Michigan
616.772.3705
sales@strikodynard.com
www.strikodynard.com

StrikoWestofen America is a wholly owned subsidiary of the StrikoWestofen Group, a global leader in the melting, holding, and dosing of aluminum.

* Energy usage will vary depending on furnace capacity. W1200 SL consumption is listed.
** Assumes correct and consistent temperature of metal filled into Westomat.

Efficiency. Powered by knowledge.

v.12082016